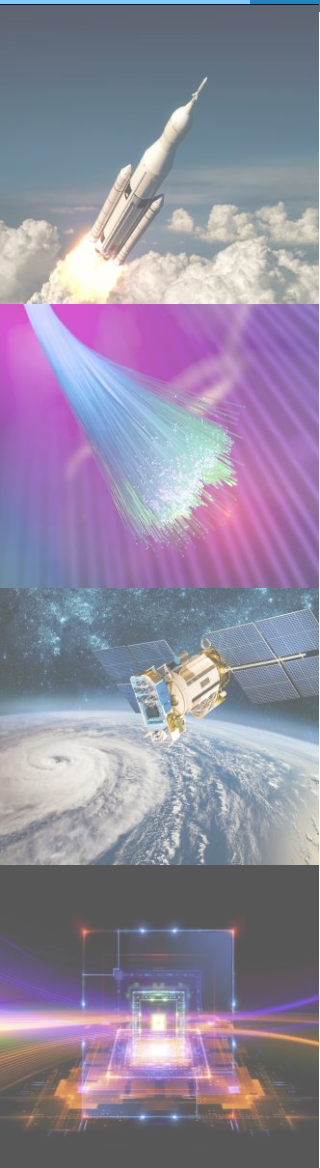
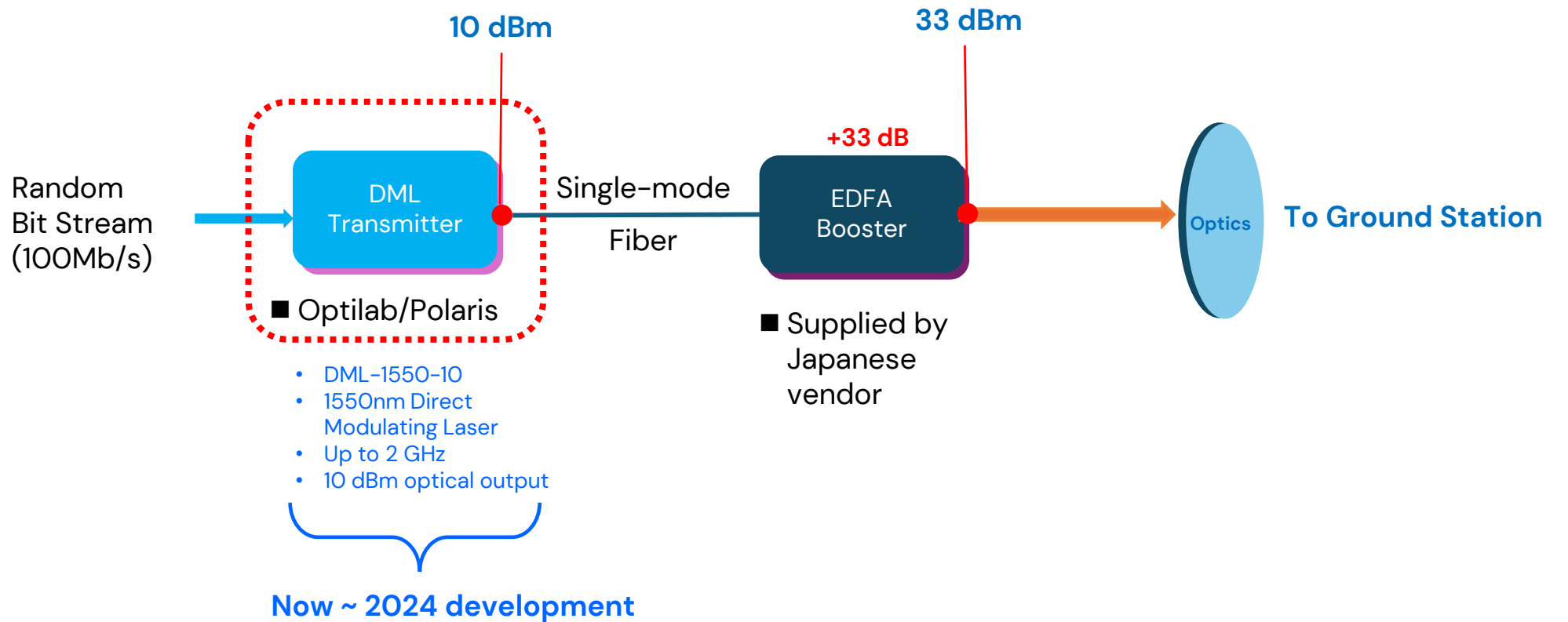


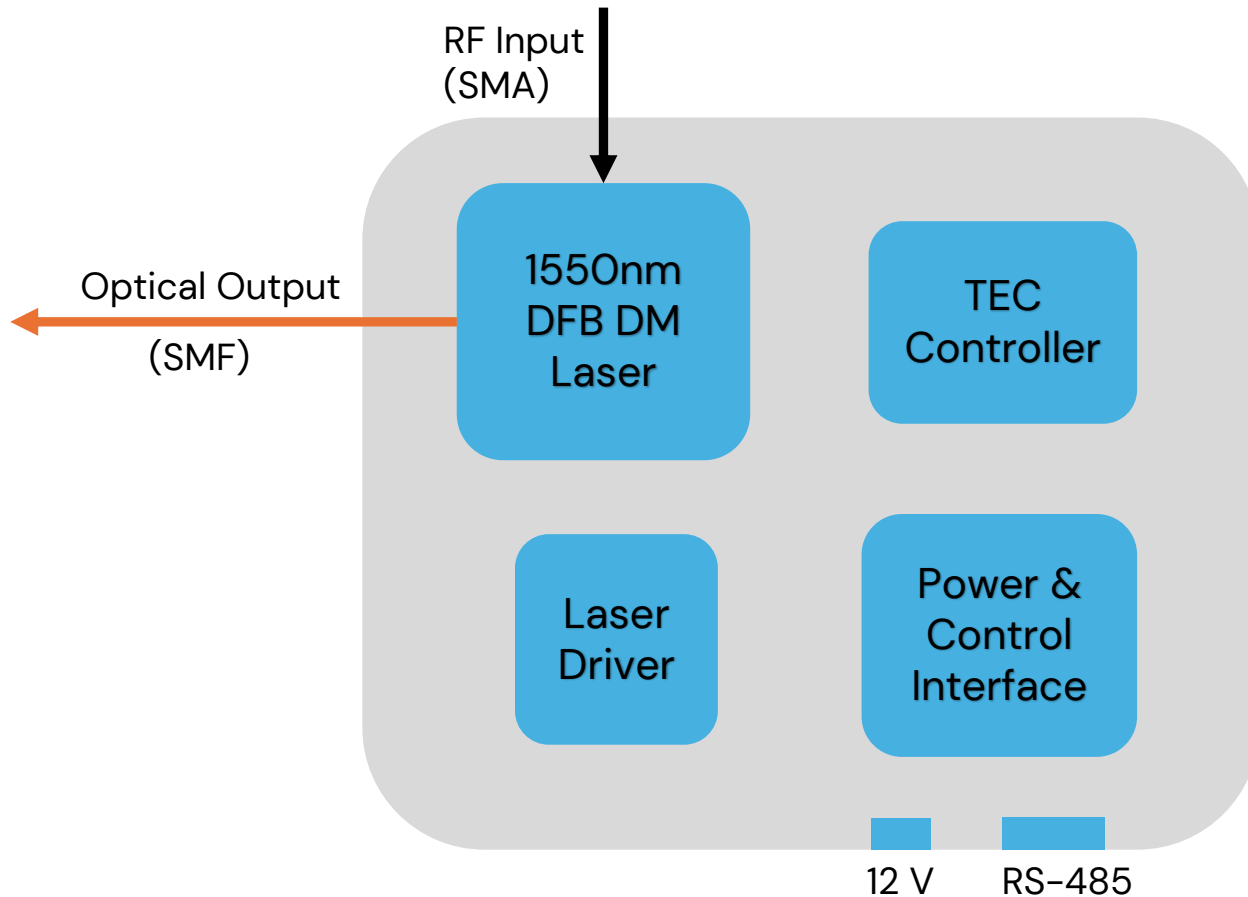
92.7mm (L) x 88.7mm (W) x 30mm (H)



System Diagram



Functional Diagram



- **RF input:**
 - SMA connector
 - 50 Ohm input impedance
 - RF input, AC 1.5Vpp to 2.0Vpp (Not exceed 2 Vpp)
 - 2 GHz input bandwidth
- **Optical output:**
 - SM fiber output (fused to EDFA)
 - 10 dBm (10 mW) Optical output power (1550nm wavelength)
- **Power Input:**
 - 12V, 500mA (6W)
- **Control Interface:**
 - RS-485(MAX-13847 chip transceiver)

Space requirement: (TBD)

